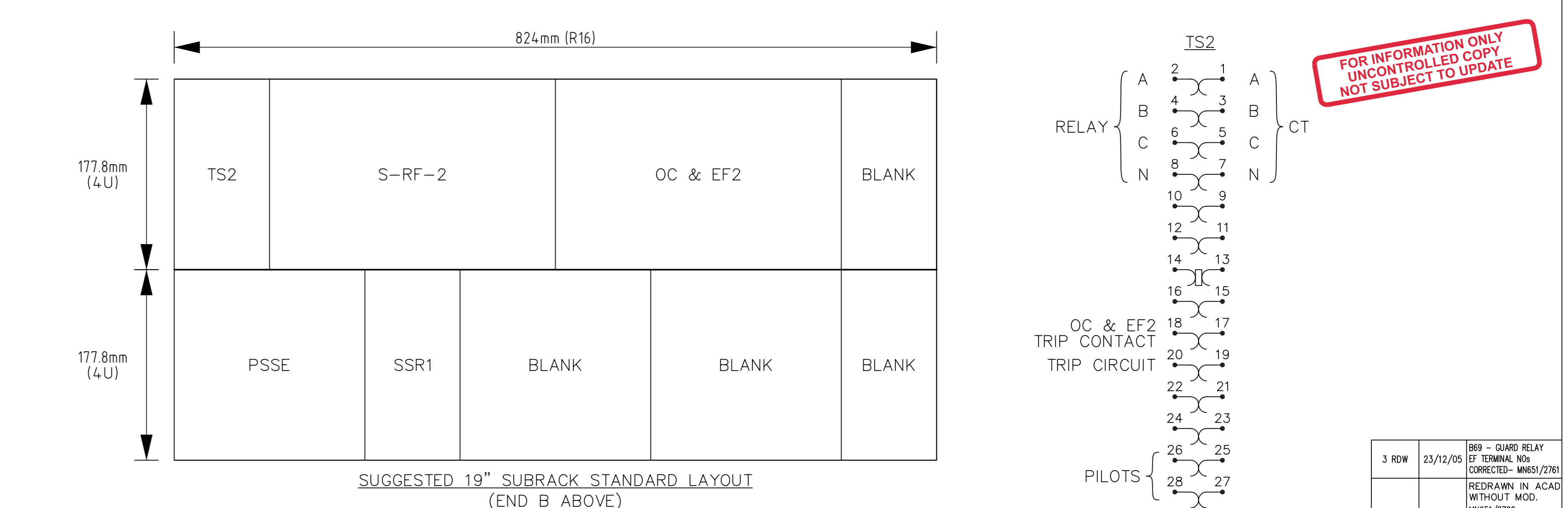
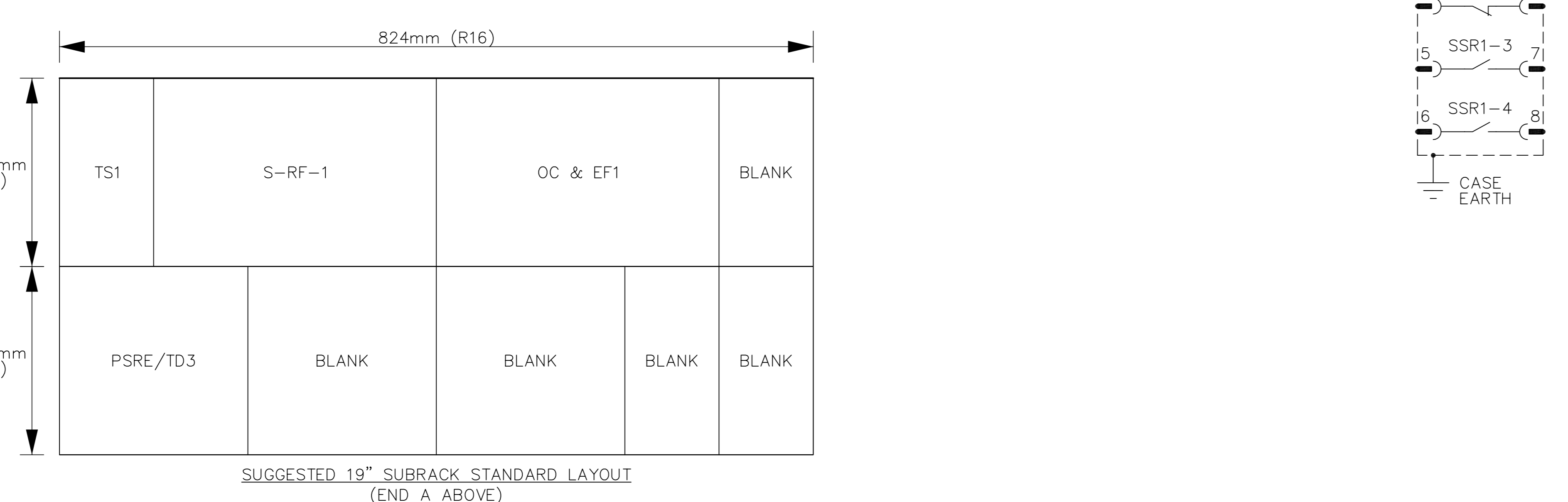
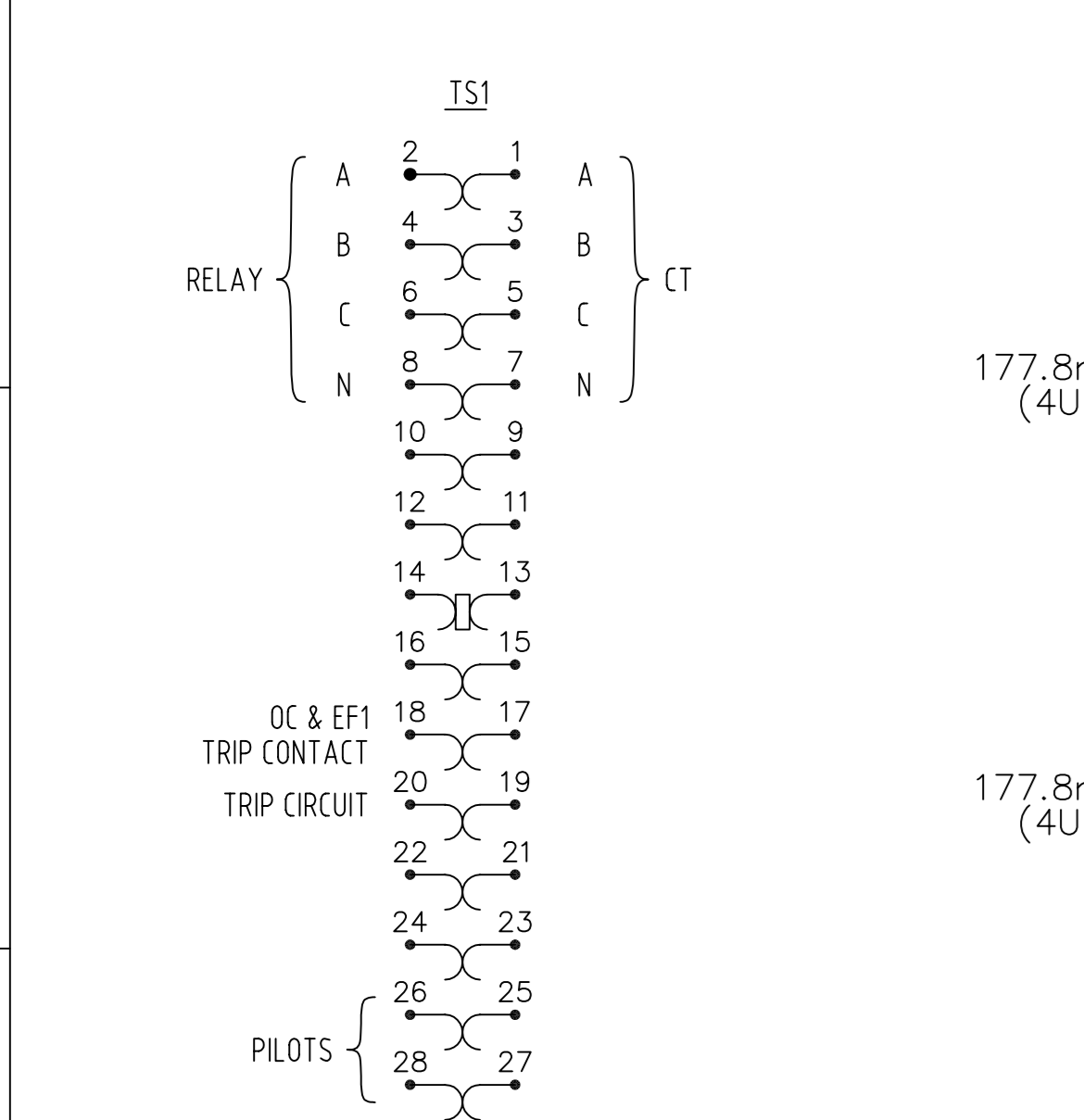
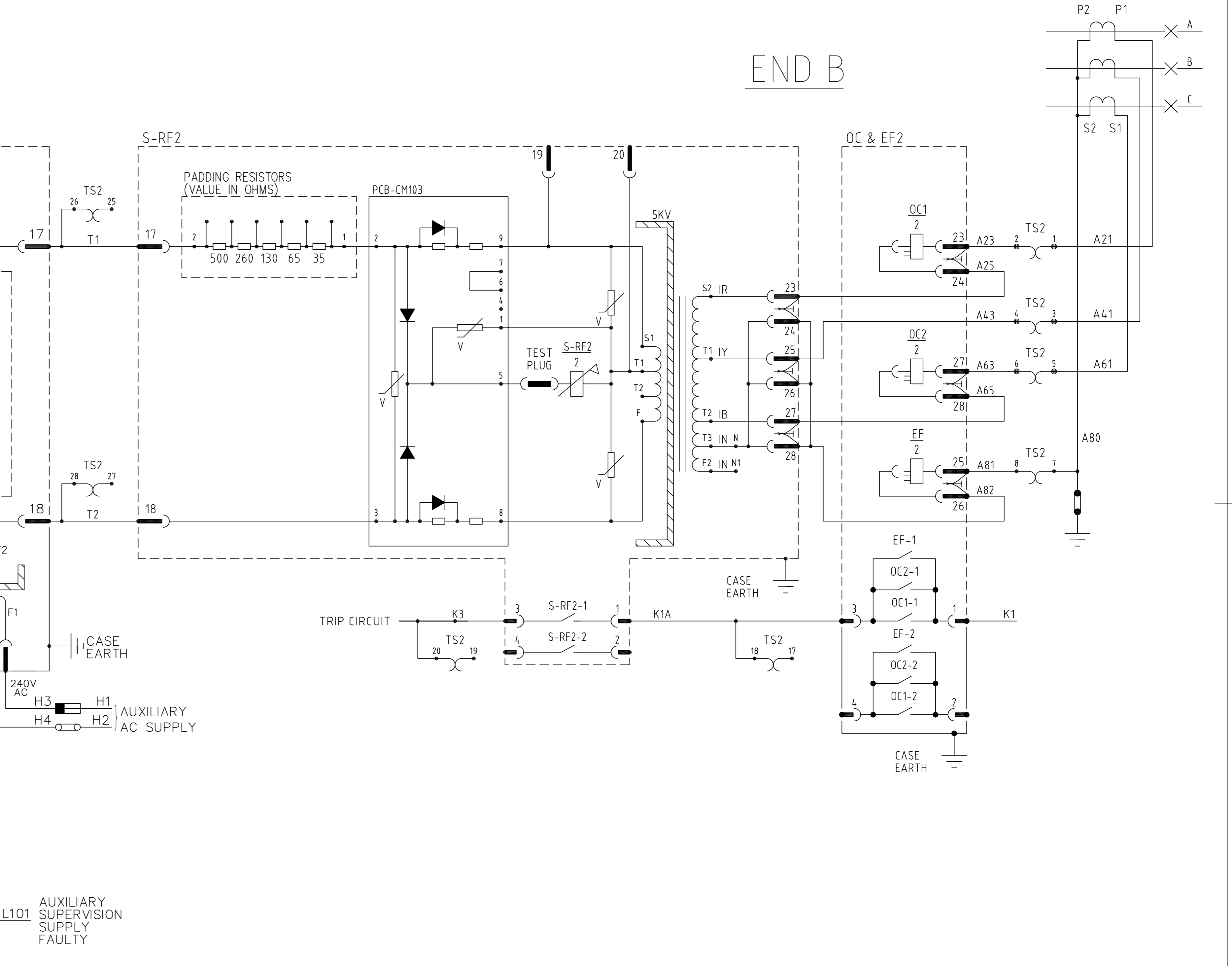
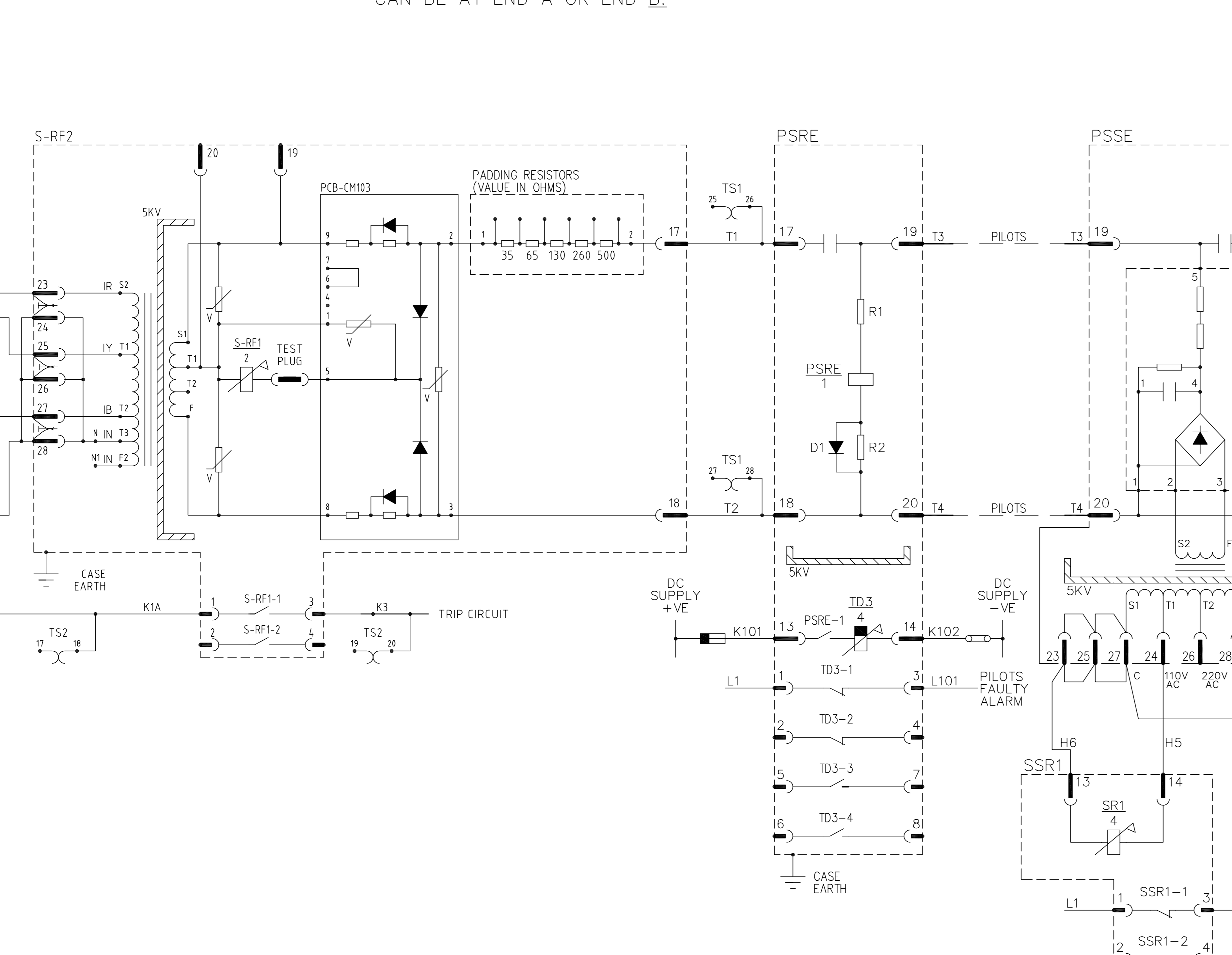
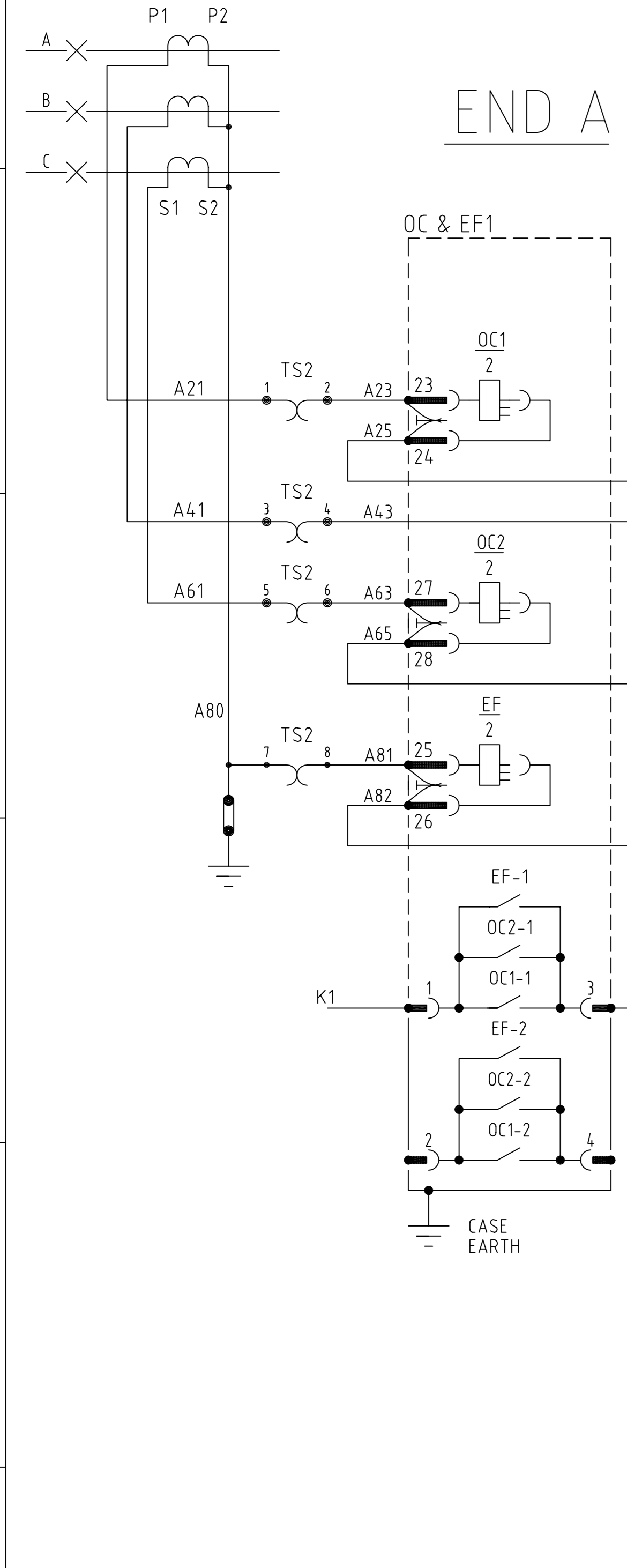


- NOTES:
- 1 - PRIMARY PLANT CONTACTS ARE SHOWN WITH THE PLANT OPEN. RELAYS ARE SHOWN SWITCHED OUT OR DE-ENERGISED.
 - 2 - THIS DIAGRAM SHOWS THE REYROLLE PROTECTION PREFERRED VERSION OF THE SOLKOR RF, 5KV & PILOT SUPERVISION & GUARD RELAYS. DELETE ANY ITEM WHERE NECESSARY.
 - 3a - EPSILON-CT SHORTING LINKS: -MAKE BEFORE LONG & SHORT TERMINAL BREAK
 - 3b - EPSILON-SHORT CONTACTS: -BREAK BEFORE LONG CONTACT BREAK
 - 3c - EPSILON-LONG CONTACTS: -LAST CONTACT TO BREAK
 - 4 - 5KV BARRIER
 - 5 - FOR PILOT SUPERVISION THE PILOT SEND & RECEIVE RELAYS CAN BE AT END A OR END B.

SYSTEM	DEVICE	END	TYPE		DESCRIPTION
SOLKOR-RF	S-RF1	A	EPSILON	- SOLKOR RF(5KV)	- CURRENT RATING 0.5,1,2 & 5A, - 2M (SPECIFY CURRENT RATING ON ORDERING)
	TS1	A	EPSILON	- 2RMLG	
SOLKOR-RF	S-RF2	B	EPSILON	- SOLKOR RF(5KV)	- CURRENT RATING 0.5,1,2 & 5A, - 2M (SPECIFY CURRENT RATING ON ORDERING)
	TS2	B	EPSILON	- 2RMLG	
PILOT SUPERVISION (5KV)	PSRE TD3	A	EPSILON	- B75(5KV)	- 1M - VOLTAGE TO BE SPECIFIED (DC)
		A		- B74 (BOTH IN ONE CASE)	- 2M2B - 400ms D.O.
GUARD	OC & EF1	A	EPSILON	- TRANS. REC. UNIT(5KV)	- 2M2B - 110V AC
		B	EPSILON	- B22	
GUARD	OC & EF2	A	EPSILON	- B69 (3 ELEMENTS 1 CASE)	- 2M SETTINGS TO BE SPECIFIED ON ORDER
		B	EPSILON	- B69 (3 ELEMENTS 1 CASE)	- 2M SETTINGS TO BE SPECIFIED ON ORDER



FOR INFORMATION ONLY UNCONTROLLED COPY NOT SUBJECT TO UPDATE

MATERIAL:
 Dimensions in millimetres; Surface texture in micrometres.
 Machine where marked 'M'
 For explanation of dimensions, tolerances, notes etc. see B.S.308.
 Limits on untoleranced unmachined dimensions ±
 Limits on untoleranced machined dimensions to B.S.4500;
 i.e. up to 640.1; over 30 to 12040.3; over 31540.6;
 over 6 to 3240.2; over 120 to 31540.6;
 General untoleranced angular tolerance ±

First used on: _____
 Similar Articles: _____
 Supersedes: ISSUE 1 DRAWN - 25/3/93

Original Scale: _____
 Dwg. No. **2651W10137**

Copyright © 2005 VATECH REYROLLE ACP Ltd. Hoburn

Drawn: _____
 Checked: _____
 Approved: _____
 Date: 28/03/05

Scale: _____
 Title: **SCHEME DIAGRAM OF SOLKOR R1 - 5KV INSULATION WITH PILOT SUPERVISION AND GUARD RELAYS**

Project: _____
 Drawing No: _____
 Issue: _____